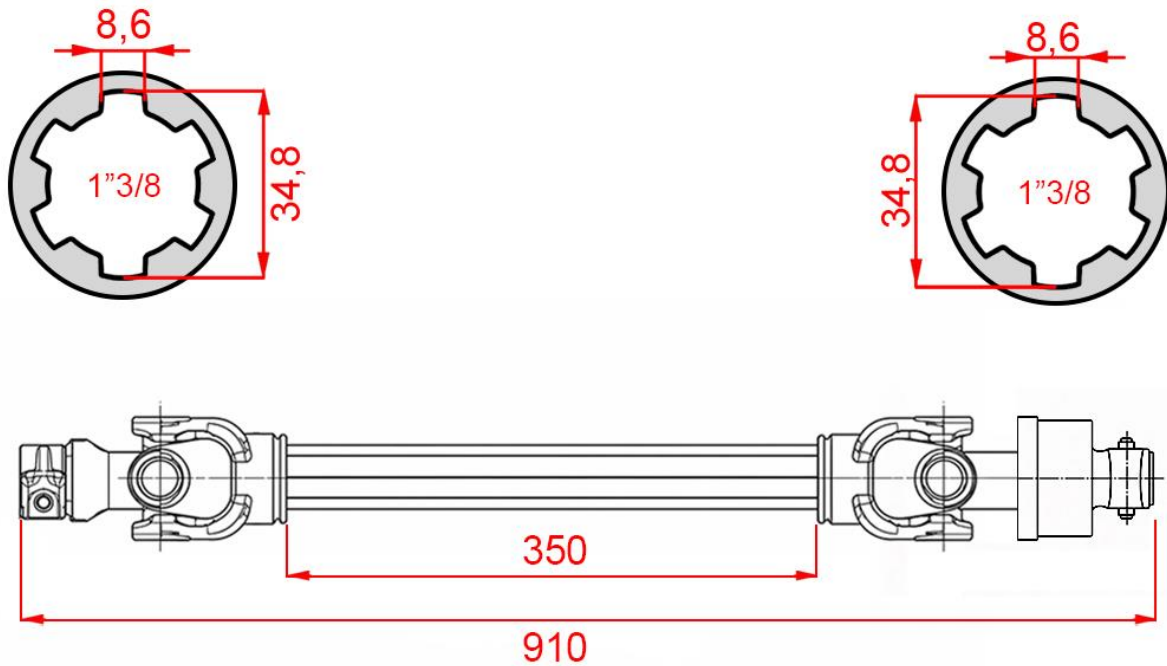


DATA SHEET – DIMENSIONS

ECO PTO SHAFT 910mm 30-75HP WITH FREEWHEEL CLUTCH



| MIN. LENGHT (mm) | STANDARD | FOR TRACTORS (HP) | CROSS (mm) |
|------------------|----------|-------------------|---------------|
| 910 | CE 2138 | 30 - 75 | 26,97 x 81,75 |